

A LiTech MP2000 Portable Power Station is shown on a wooden table. The device is black with orange accents on the sides. It has a digital display showing "888" and "888" for power and voltage respectively. There are several ports and outlets on the front panel, including USB and AC outlets. The background is a blurred outdoor setting with a potted plant and a small orange cup.

LiTech MP2000 Portable Power Station
New Product Announcement

MP2000

Portable Power Station

2Kw/2.2Kwh





Introduction

Super Powerful

2000W Power to satisfy any appliances indoor and outdoor making live so enjoyable!

Hugh Capacity

With 2.2KWh capacity able to last long for a week on a trip!

Multi Outputs

Satisfying Outputs including: AC\ USB\ Type-C\ Cigarette Lighter\ DC Out and Wireless!

Speed Charging

80% charged in 1.5 hours and fully charged within 2 hours!

Expandable Design

Unique battery module designed to be replacable, double or tripling total capacity!

Flexible Inputs

Able to be charged with: Utility Power\ Solar Panels and Cigarette Lighter!

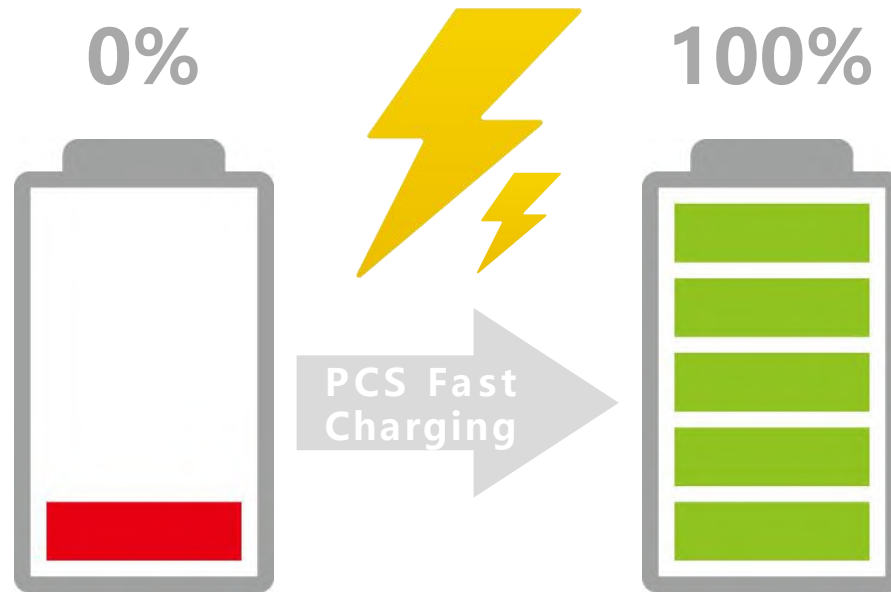




Two Way PCS Fast Charging Technology



[2.2KWh Charged in 2 Hours]



With the support of Super Fast Charging Function, the charging power is controlled below 0.6c, and the maximum AC input power is 1200W. You can get this power station fully charged while having a good lunch, and no need to worry about any power shortage on a trip. Speedy Power!

01

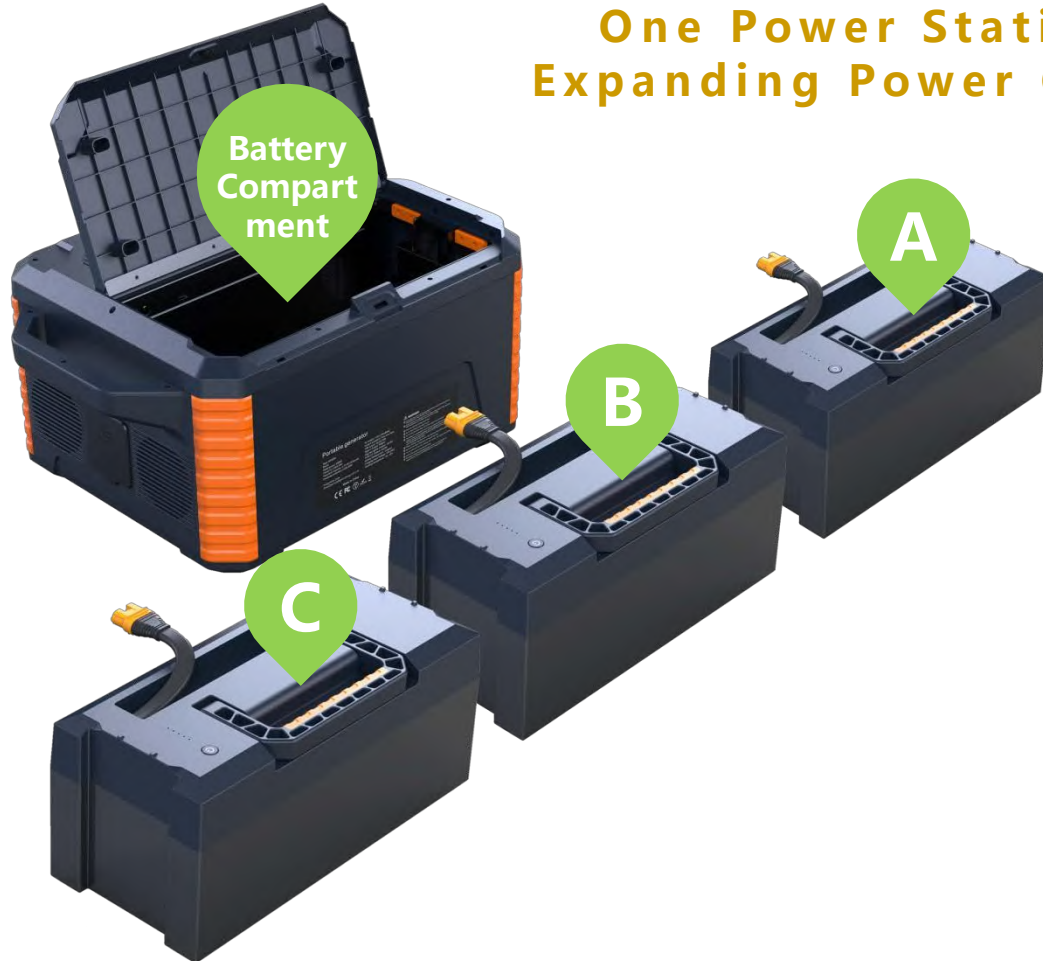
MP2000W
Portable Power
Station



Swapable Battery Module



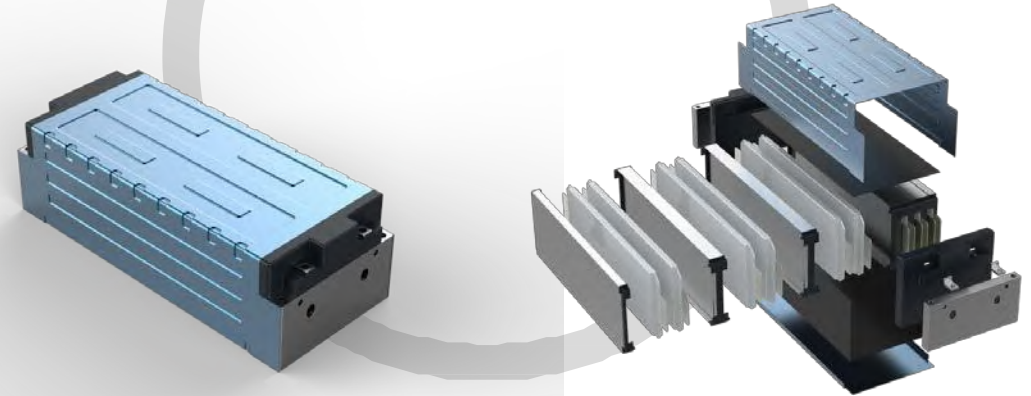
**One Power Station + Multiple Battery Modules
Expanding Power Capacity by 2.2KWh each Module!**



- ✓ **With Swapable Battery Design, Battery capacity can be easily expanded.**
- ✓ **Each battery has a capacity of 2.2 KWh, which is sufficient for a road trip or emergency power at home!**
- ✓ **This superposition of capacity "refuels" the power station, extends total capacity to 4.4KWh, 6.6KWh and even more!**
- ✓ **It only takes another 8kg of weight for each KWh, which does not take much room for extra battery capacity!**
- ✓ **Absolutely the best helper for a road trip or home UPS, making life full of fun!**

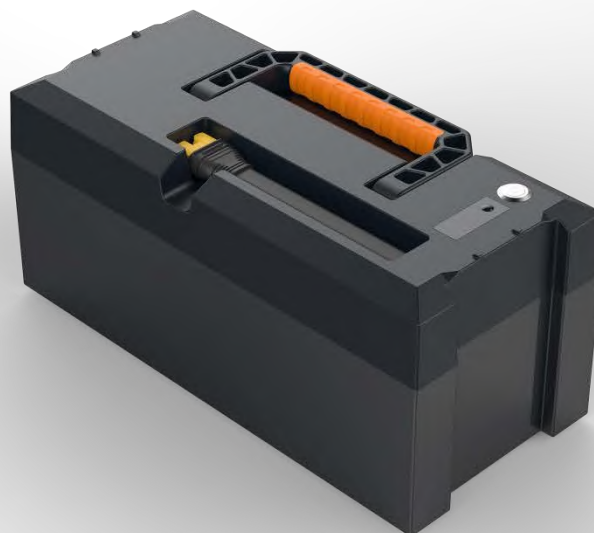


Same type of battery as
used in National Security
Making the safety factor
Ever Higher!





7 Layers of Bettery Protection



05

MP2000W
Portable Power
Station



High Strength Steel Frame Structure



**Metal Frame Makes
Structure Stronger**

Passes 1m drop test without a scratch

06

MP2000W
Portable Power
Station



Photovoltaic MPPT system



High Power and Efficient Photovoltaic Charging

Maximum power point tracking, which supports 400W photovoltaic charging

07

MP2000W
Portable Power
Station



$N+1 = \infty$
Unlimited Possibilities



One Battery Module Unlimited Possible Usage

Battery Module can be shared for versatile uses





10ms Instantaneous Switching as UPS

Never lose power to ensure your data safety





Product Specification



AC Output Spec:
US/JA, EUROPE, AU, DE, CN

Rated power: 2000W

Rated capacity: 2264.4Wh

Standard capacity: 3.7V/612000mAh

Overload protection: 2100 ± 80 W

AC output: $110V \pm 10\%$ /60HZ

Output waveform: Pure sine wave

USB output: QC3.0/18W

Type-C output: PD60W

Cigaret lighter output: 14V/8A

DC55*2.5 output: 14V/8A

Battery replacement: Auto battery pack matching

Charging input Voltage: 100-240V compatible

Working temperature: -10 - 40°C

Net weight: ≈ 27 kg

Dimension: 464*366*256mm



Pattern



Casing

Decoration



Appearance Supports Full Customization!

Branding



01

MP2000W
Portable Power
Station



Application scenarios





Power Shortage



Live Broadcast



Cooking



Medical



Renovation



Rescue



Night Market



Caravan



Fishing



| **DIY** | Electric Tools



| Outdoor | Road Trip

Good Helper At Home A Must-Have in Trunk



Product is scheduled to be
launched in August 2021!

Reservations Start From
NOW!

Thank you and welcome to
query for more information!

LiTech Power Co., LTD

